

scholtès

COOKER HOODS

SH-H52GF850BP5B

SH-H52GF450BP2L3B

SH-H52GF450BP1L3B

SH-H80GF850BP5B

SH-H80GF450BP2L3B

SH-H80GF450BP1L3B

SH-H80GF450BP2L3BG

SH-H60DG650BT5BG

SH-H60DG450BT3BG

SH-H60DG650BT5BG

SH-H90DG850BTBG

SH-H90DG850BT5BG

SH-H90DG650BT3BG

3.1 Wall Type Cooker Hood Installation

A - T Type Cooker Hoods

An example of T type wall hood is shown in Figure 2. Control panel is shown in part 1, filter panel is shown in part 2, lights are shown in part 3, chimneys are shown in part 4.

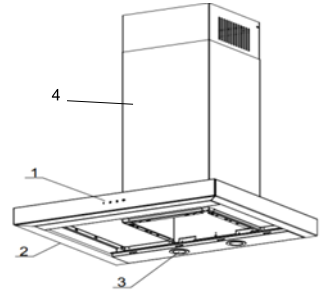


Figure 2

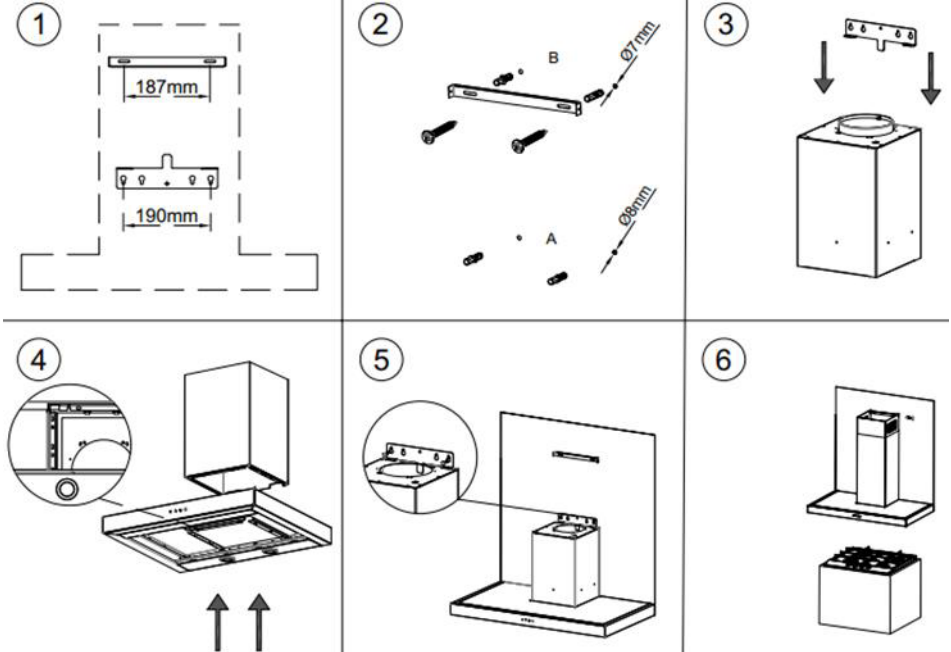


Figure 3

① Chimney hanging sheet metal and product hanging sheet metal are shown here.
 ② Drill two holes for Ø8 dowels and drill another two holes for Ø7 dowels. Fix chimney hanging sheet metal with 3,5x25 screws to Ø7 dowels. Screw the 4,8x50 hanger screws to the Ø8 mm dowels pounded on the wall. There must be 5 mm between the screw head and the wall. ③ Fix the product hanging sheet metal to the motor box with M4x18 screws. ④ Use M5x10 screws to assemble control panel and motor box. Then remove aluminum filters and connect the cables of motor box and control panel. ⑤ Hang the product to the 4,8x50 mm hanger screws you mounted in step 2. After that tighten the screws to prevent the product from moving. ⑥ After the installment of chimneys product will be fully ready to operate. It will be shown in Figure6 and Figure7.

B -Inclined Cooker Hoods

4 _____

An example of inclined hood is shown in Figure 4. Control panel is shown in part 1, upper glass is shown in part 2, lights are shown in part 3, chimneys are shown in part 4.

2 _____

1 _____

3 _____

The installation of inclined cooker hood is in Figure 5. In step ①, A is 148 mm, B is 137 mm. ② Drill two holes for Ø8 dowels and drill another two holes for Ø7 dowels. Fix chimney

Figure 4

hanging sheet metal with 3,5x25 screws to Ø7 dowels. Screw the 4,8x50 hanger screws to the Ø8 mm dowels pounded on the wall. There must be 5 mm between the screw head and the wall. ③ Fix the product hanging sheet metal to the motor box with M4x18 screws. ④ Hang the product to the 4,8x50 mm hanger screws you mounted in step 2. After that tighten the screws to prevent the product from moving. ⑤ and ⑥ After the installment of chimneys product will be fully ready to operate. It will be shown in Figure6 and Figure7.

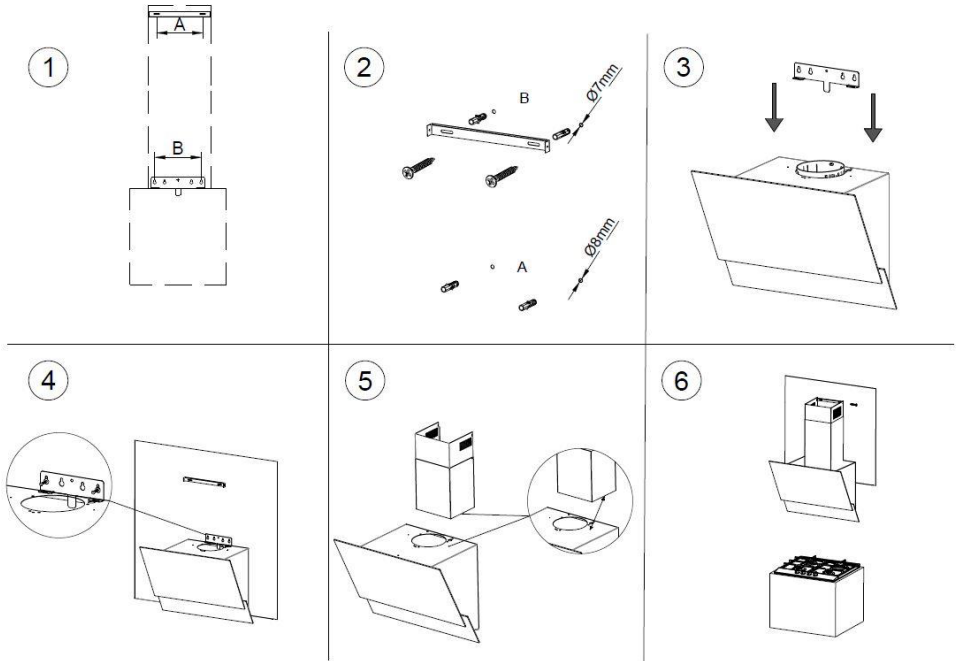


Figure 5

Chimney Installation

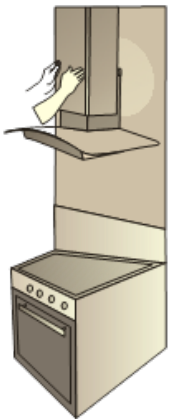


Figure 6

Place the outer chimney onto the body frame (body exit). Then fix to the body with 3,5x9,5 screws. (Figure6)

Screw the inner chimney to the chimney mounting sheet metal fixed on the wall from its upper outer edge. (Figure7)

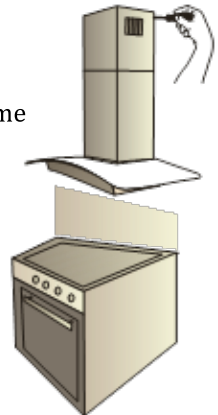


Figure 7

3.2 Island Type Cooker Hood Installation

A-Island Hoods with Motor Box

1. Power cable
2. Telescopic upper chimney
3. Chimney
4. Body
12. Engine box
13. M5x20 mm screw
15. 6x60 mm screw
16. 10 mm dowel
17. 3,5x10 mm plate screw
20. 150/120 mm plastic chimney adapter
21. Ceiling mounting plate
22. Inner stripe sheet
23. Mounting feet
24. Metal plate hook
25. Chimney plate
26. Chimney mounting plate
27. Hanger hook

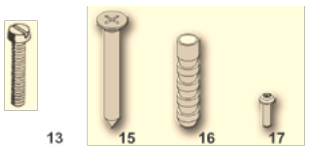
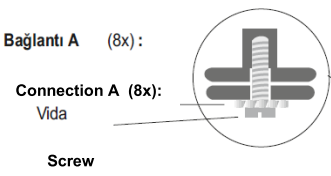
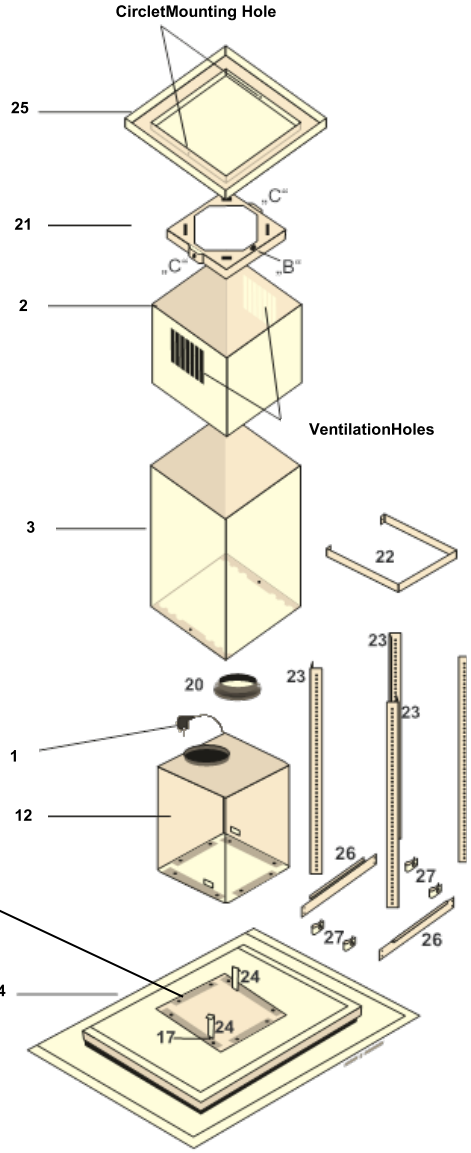


Figure8 9

Ceiling Installation

The ceiling installation plate must be securely mounted on the ceiling. The arrangement of the letters in Figure9 must be followed at the installation stage.

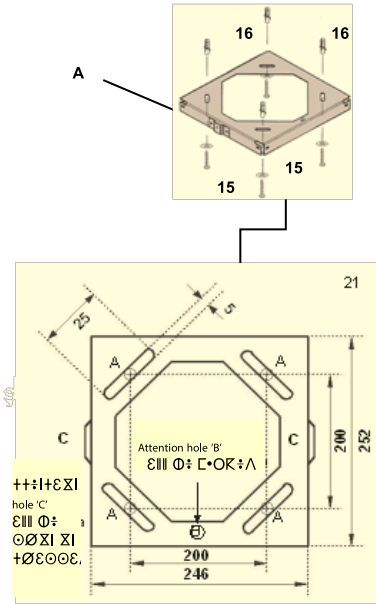


Figure9

Air extraction height is very important

Distance B =Room height

Distance C: height of engine box with engine box

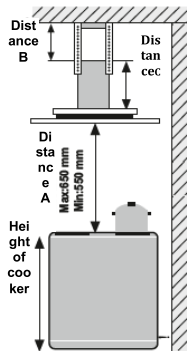


Figure10

Opening Air Exit Hole

During the process of opening air exit hole, the extraction hole should not be aligned to the center of the engine box. As shown in Figure11 there should be a 35 mm space when the center of the hole is aligned with the center of the engine hole.

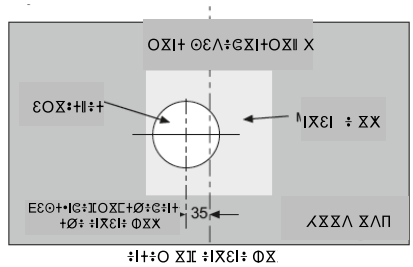


Figure11

Engine Box Installation

The engine box should be mounted on the ceiling mounting plate as described in the following figures.

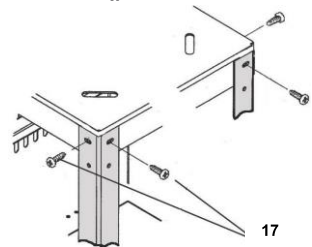
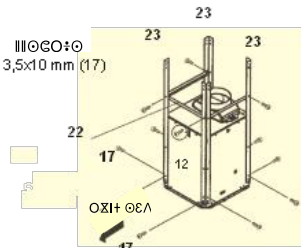
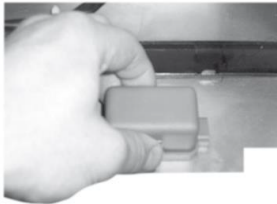


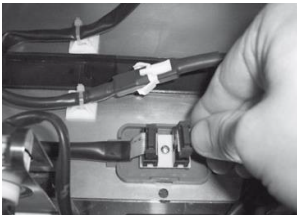
Figure12

Body Installation

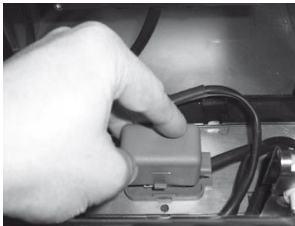
After mounting the engine box, mount the product body to the engine box.



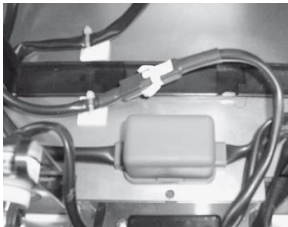
FigureA



FigureB



FigureC



FigureD

To connect the body and the engine box, first remove the aluminum filter on the body. Then remove the cover of the connector box inside the engine box (Figure A). Insert the cable connector from the body into the empty connector inside this connector box (Figure B). Then reinsert the connector box cover (Figure C and D).

3.3 Built-in Type Cooker Hood Insallation

A- Models with Side Mounting Elements

1. Models with Glass

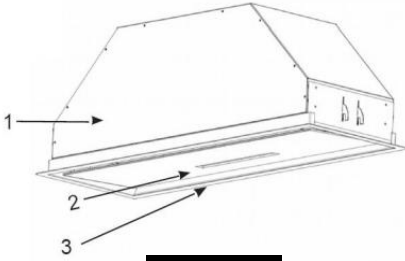


Figure13

An example of built-in cooker hood with glass is shown in Figure13. Main body is shown in part 1, control panel is shown in part 2, lights are shown in part 3.

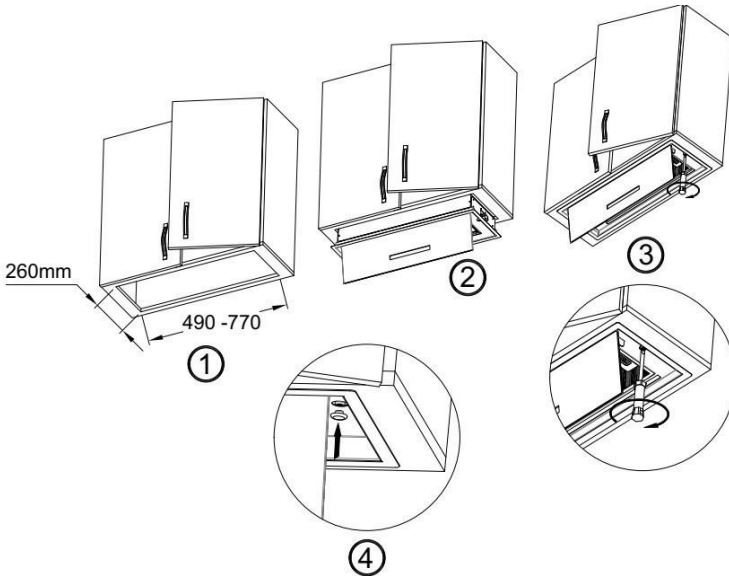


Figure14

The gap to mount the product is shown in ①. The product is placed as shown in ②. The product is screwed in order to be mounted tightly as shown in ③. If available, screw taps are attached onto the screw holes as shown in ④.

2. Models without Glass

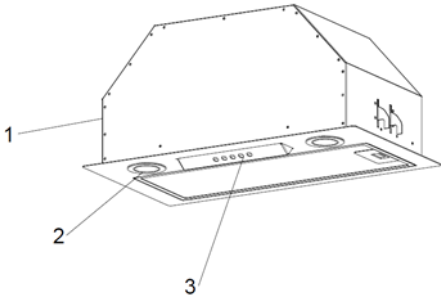


Figure 15

An example of built-in cooker without glass hood is shown in Figure 15. Main body is shown in part 1, lights is shown in part 2, control panel are shown in part 3.

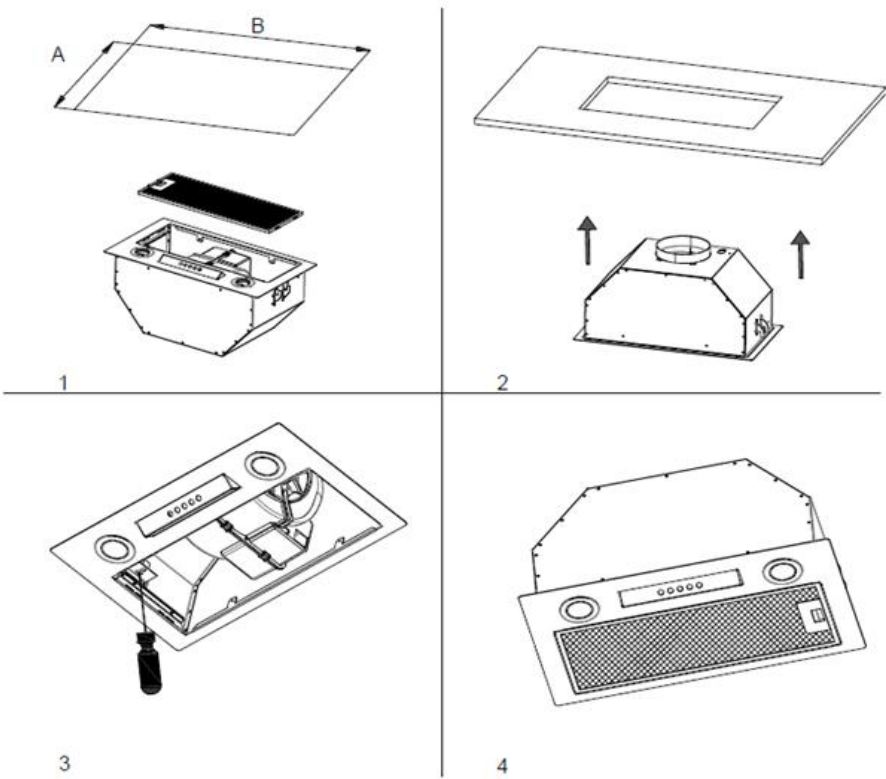


Figure 16

The gap to mount the product is shown in ①. A must be 27 cm. B must be 50,5 cm for 52 cm product; 68,5 cm for 70 cm product. The product is placed as shown in ②. After aluminum filter is taken out, the product is screwed in order to be mounted tightly as shown in ③. Aluminum filters fit on the product as shown in ④.

B- Models Mounted from Front Panel

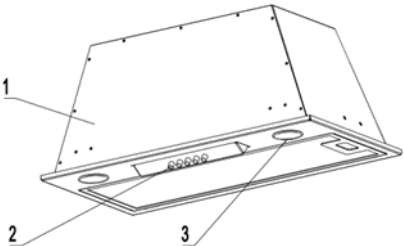


Figure 17

An example of built-in cooker hood is shown in Figure . Main body is shown in part 1, control panel is shown in part 2, lights are shown in part 3.

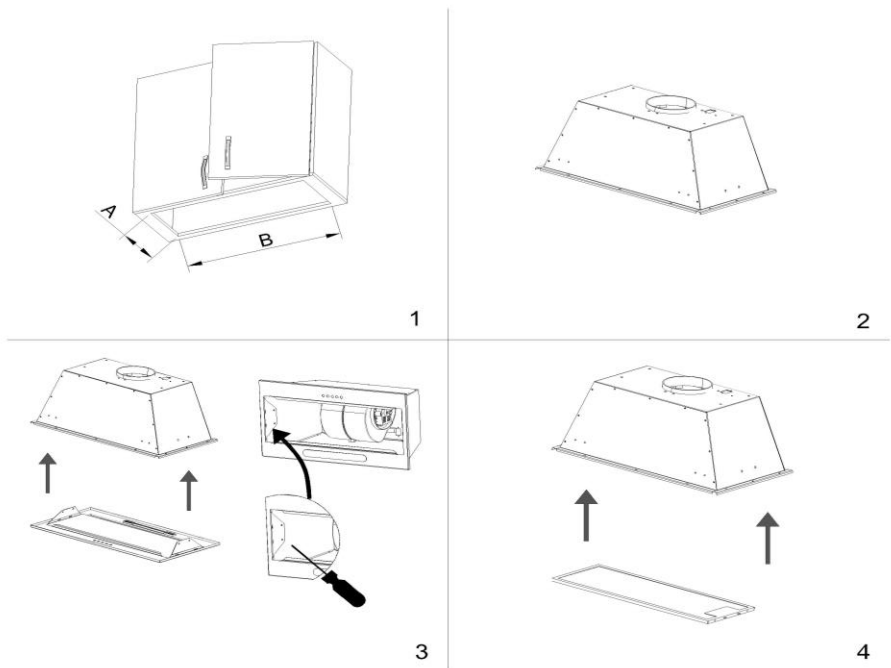


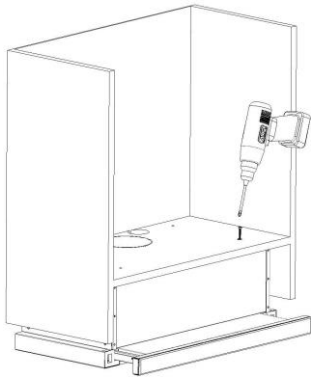
Figure 18

The gap to mount the product is shown in ① and in table below.

Product	A	B
SH-H52GF850BP5B SH-H52GF450BP2L3B SH-H52GF450BP1L3B	260 mm	495 mm
SH-H80GF850BP5B SH-H80GF450BP2L3B SH-H80GF450BP1L3B	260 mm	675 mm
SH-H80GF450BP2L3BG SH-H80GF450BP2L3BG	258 mm	490 mm
SH-H60DG650BTSBG SH-H60DG450BT3BG SH-H60DG650BTSBG	258 mm	670 mm
SH-H90DG850BTBG SH-H90DG850BTSBG SH-H90DG650BT3BG	258 mm	770 mm
	258 mm	870 mm

The product is placed as shown in ②. Unscrew the screws, detach lighting and disassemble the control panel as shown in ③. Mount the body to the gap and screw body via the screw holes on the edge of the body as shown in ④. Then reverse the process in 3.

C- Telescopic Hood/Classic Aspirator



① Place the installation paper to the upper side of roof, to which the classic aspirator/telescopic hood will be installed. ② Drill 4 holes with 6 mm twist bit as shown on the paper. ③ Align the aspirator to the holes. ④ Fix the product with M4x30 screws and nut washers coming out from the installation packet.

