



VENTED HOB 86 cm SOTH1900B

Dedicated keypad for each zone
9 power levels for a total of 7400 W
4 zones including a flexible area
Left rear zone: 20 cm - 2300 W + Booster 3000 W
Left front zone: 16 cm - 1400 W + Booster 2100 W
Right zone: 190 x 210 mm - 1600 W + Booster 1850 W
Right zone: 190 x 210 mm - 2100 W + Booster 3000 W
Booster and keep warm functions
4 timers
Residual heat indicators
Lock for cleaning and child safety

Installation in recycling or extraction mode
3 speeds + Booster and delayed stop function
Max air flow 651 m³/h
Max noise level 61 dB
Aluminium grease filter
Grease and carbon filter saturation indicator



SUCTION ENERGY CLASS A

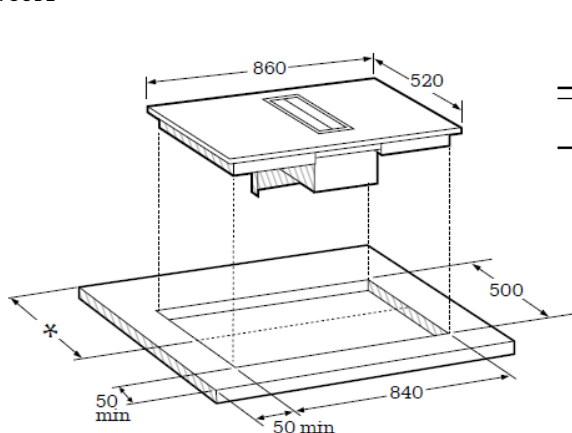


FLEXIBLE AREA



DEDICATED KEYPADS

INSTALLATION TYPE	EXTRACTION / RECYCLING
TYPE OF HOB	INDUCTION
NUMBER OF ZONES	4
OF WHICH FLEXIBLE AREAS	1
TYPE OF CONTROL PANEL	INDIVIDUAL (+/-) FOR EACH ZONE
CONTROL PANEL LOCATION	FRONT
TIMER	YES
POWER LEVELS	9
BOOSTER	YES
KEEP WARM FUNCTION	YES
CLEANING LOCK	YES
CHILD SAFETY	YES
RESIDUAL HEAT INDICATOR	YES
UTENSIL DETECTION	YES
TOTAL POWER IN W	7400
DIAMETER MM / LEFT FRONT	165
POWER (IN W), BOOSTER / LEFT FRONT	1400/2100, BOOSTER 3000
DIAMETER MM / LEFT REAR	200
POWER (IN W), BOOSTER / LEFT REAR	2300, BOOSTER 3000
DIAMETER MM / RIGHT REAR	195 X 220
POWER (IN W), BOOSTER / RIGHT REAR	1600, BOOSTER 1850
DIAMETER MM / RIGHT FRONT	195 X 220
POWER (IN W), BOOSTER / RIGHT FRONT	1600, BOOSTER 1850
MAX SUCTION (M3/H)	651
MOTOR POWER (IN W)	275
NOISE LEVEL, MAX (DB)	61
NUMBER OF SPEEDS	3 + BOOSTER
AUTOMATIC STOP	YES
ANNUAL ENERGY CONSUMPTION (KWH/YEAR)	43.6
VOLTAGE (V), FREQUENCY (HZ)	220-240, 50-60
FAN EFFICIENCY CLASS	A
GREASE FILTERING EFFICIENCY CLASS	C
NUMBER OF GREASE FILTERS	1
GREASE FILTER MATERIAL	ALUMINIUM
CARBON FILTERS INCLUDED	NO, SOLD SEPARATELY
REFERENCE OF RECYCLING INSTALLATION KIT	FOR 60 MM PLINTH: CU003963, FOR 100 MM PLINTH: CU003964
REFERENCE OF REPLACEMENT CARBON FILTERS	FOR 60 MM PLINTH: CU003961, FOR 100 MM PLINTH: CU003962
MOTOR LOCATION	BASE
PLINTH HEIGHT FROM ... TO ... MM	60 TO 100
LIQUID COLLECTOR	YES
INSTALLATION KIT INCLUDED	YES FOR STANDARD INSTALLATION
EXTRACTION DIAMETER IN MM	150
SUPPLIED WITH POWER CORD, IN CM	YES, 200
PRODUCT DIMENSIONS (WXD) MM	860 X 520
PACKAGING DIMENSIONS (WXDXH) MM	570 X 970 X 610
NET WEIGHT (KG)	31.5
GROSS WEIGHT (KG)	41
EAN CODE	3527570075766



* Variable according to the depth of the worktop

